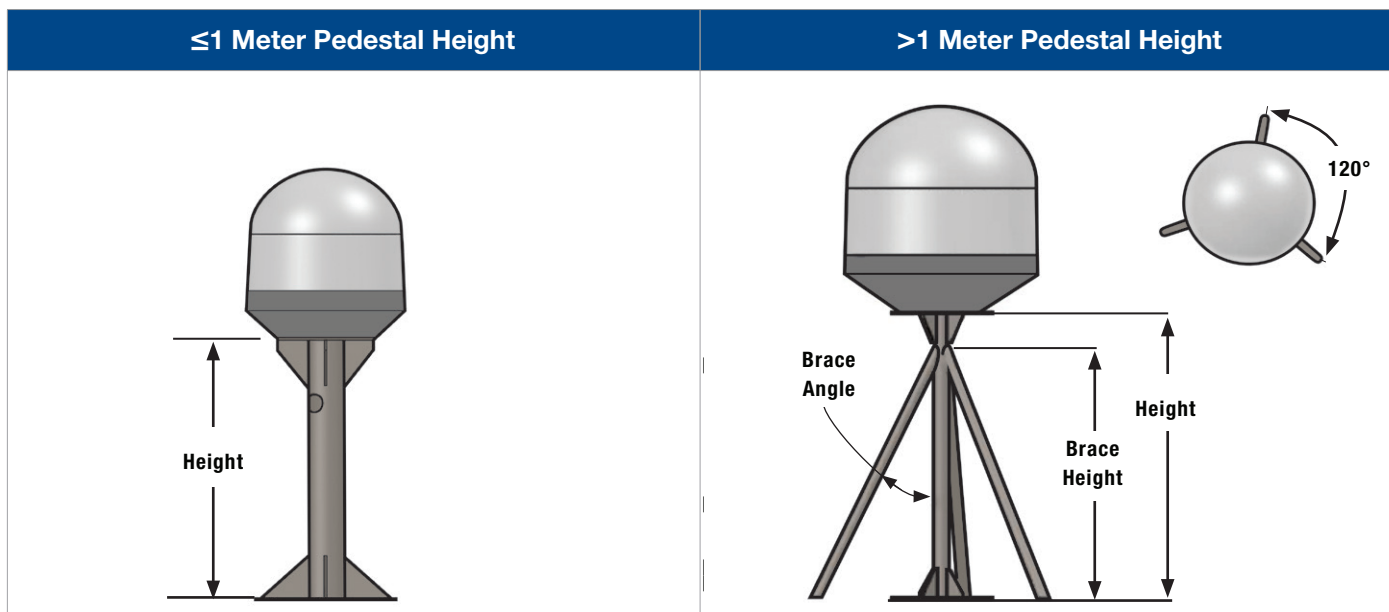


KVH OneCare™

TracPhone®/TracVision® Pedestal Guidelines



TracPhone V11IP/V11HTS and TracVision HD11 Antenna

Pedestal Height	Main Tube OD	Main Tube Wall Thickness	Brace OD	Brace Thickness	Brace Angle	Brace Height	Weight
1 m (3.28 ft)	228.6 mm (9 in)	12.7 mm (0.5 in)	Not Required	Not Required	Not Required	Not Required	108.862 kg (240 lbs)
2 m (6.56 ft)	203.2 mm (8 in)	12.7 mm (0.5 in)	76.2 mm (3 in)	6.35 mm (0.25 in)	30 degrees	1.70 m (5.56 ft)	
3 m (9.84 ft)	254 mm (10 in)	12.7 mm (0.5 in)	152.4 mm (6 in)	12.7 mm (0.5 in)	25 degrees	2.24 m (7.34 ft)	

TracPhone V7IP/V7HTS Antenna

Pedestal Height	Main Tube OD	Main Tube Wall Thickness	Brace OD	Brace Thickness	Brace Angle	Brace Height	Weight
1 m (3.28 ft)	127 mm (5 in)	9.5 mm (0.375 in)	Not Required	Not Required	Not Required	Not Required	27.216 kg (60 lbs)
2 m (6.56 ft)	76.2 mm (3 in)	6.35 mm (0.25 in)	50.8 mm (2 in)	6.35 mm (0.25 in)	25 degrees	1.70 m (5.56 ft)	
3 m (9.84 ft)	127 mm (5 in)	12.7 mm (0.5 in)	101.6 mm (4 in)	6.35 mm (0.25 in)	25 degrees	2.25 m (7.38 ft)	

TracPhone V3IP/V3HTS Antenna

Pedestal Height	Main Tube OD	Main Tube Wall Thickness	Brace OD	Brace Thickness	Brace Angle	Brace Height	Weight
1 m (3.28 ft)	127 mm (5 in)	6.35 mm (0.25 in)	Not Required	Not Required	Not Required	Not Required	11.339 kg (25 lbs)
2 m (6.56 ft)	76.2 mm (3 in)	6.35 mm (0.25 in)	57.15 mm (2.25 in)	6.35 mm (0.25 in)	25 degrees	1.60 m (5.25 ft)	
3 m (9.84 ft)	127 mm (5 in)	6.35 mm (0.25 in)	114.3 mm (4.5 in)	6.35 mm (0.25 in)	25 degrees	2.24 m (7.35 ft)	
4 m (13.12 ft)	203.2 mm (8 in)	12.7 mm (0.5 in)	177.8 mm (7 in)	6.35 mm (0.25 in)	25 degrees	2.78 m (9.12 ft)	

Sizing based on Structural Steel Tubing 60,000 psi (415 MPa) minimum yield.