

KVH TracPhone® Fleet One Installation Guide



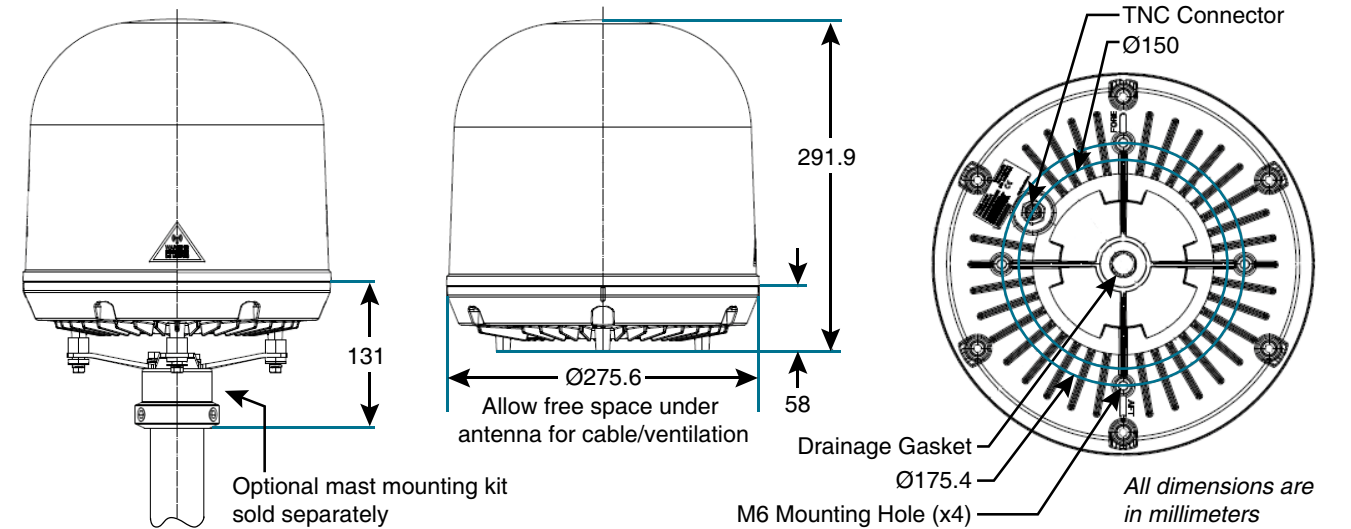
This guide provides basic installation information for the TracPhone Fleet One system. For complete installation, operation, setup, and diagnostics details, refer to the User and Installation Manual. If you need any assistance, please contact KVH Technical Support.

Technical Support

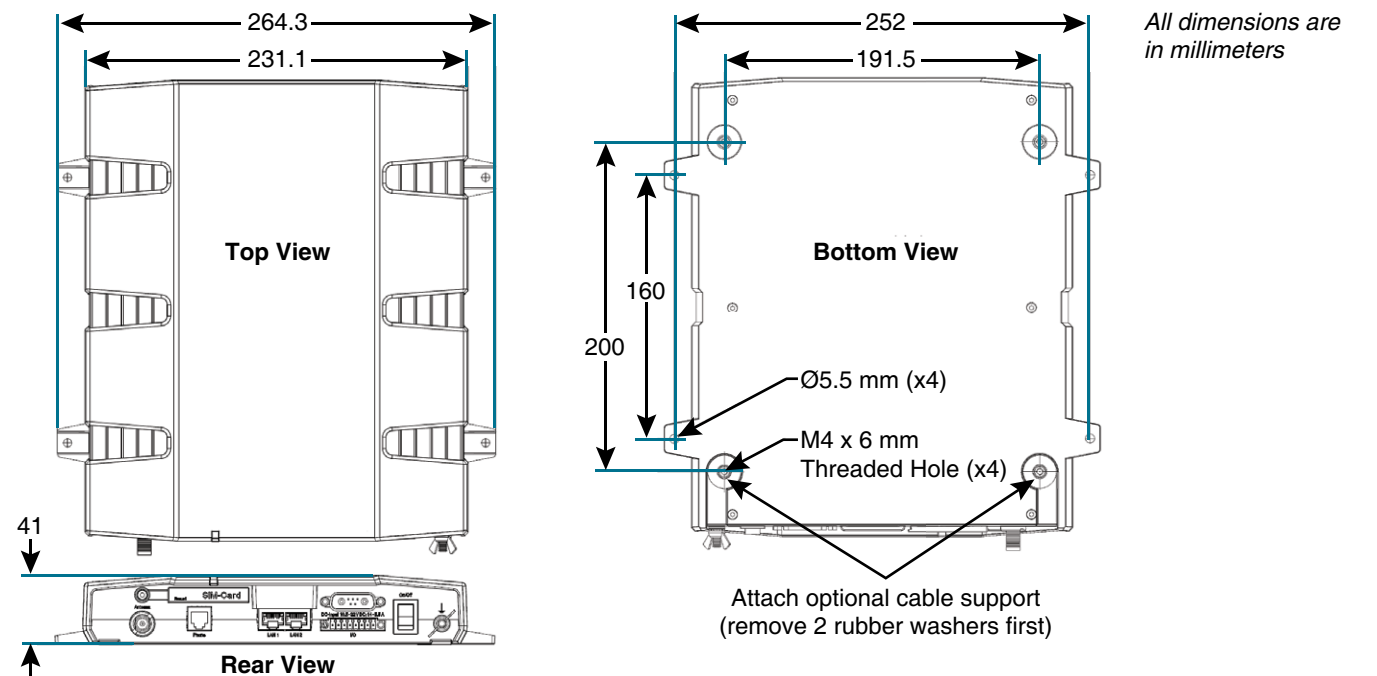
North/South America, Australasia:
 Phone: +1 401 847-3327
 Email: support@kvh.com

Europe, Middle East, Africa, Asia-Pacific:
 Phone: +45 45 160 180
 Email: support@emea.kvh.com

Antenna Dimensions



Terminal Dimensions

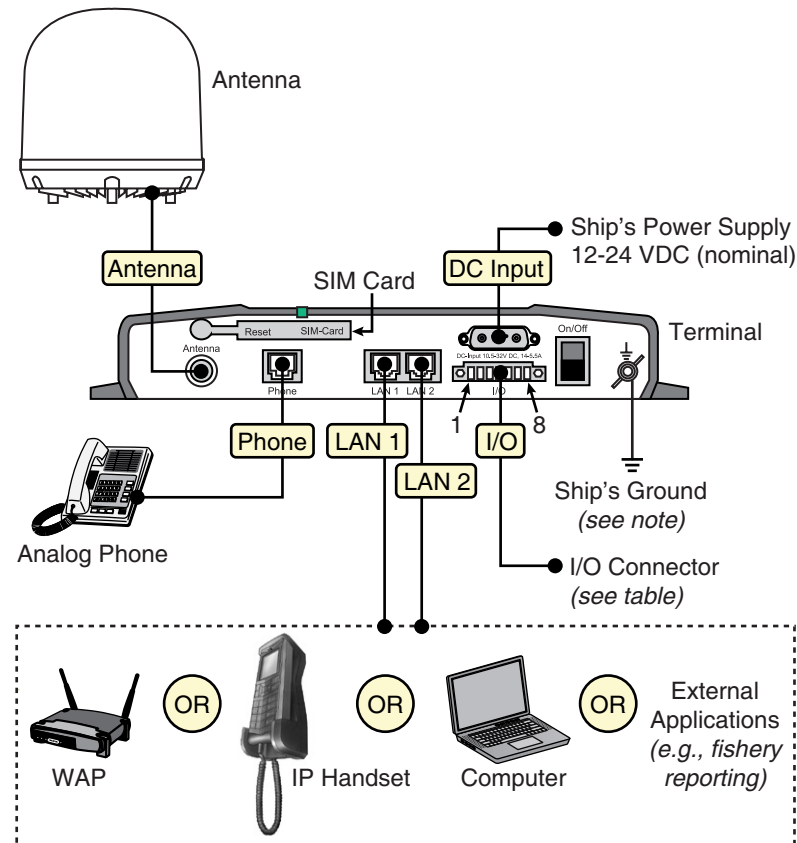


KVH Industries A/S
 EMEA Headquarters
 Kokkedal, Denmark
 Tel: +45.45.160.180 Fax: +45.45.160.181
 E-mail: info@emea.kvh.com

KVH Industries, Inc.
 World Headquarters
 Middletown, RI U.S.A.
 Tel: +1.401.847.3327 Fax: +1.401.849.0045
 E-mail: info@kvh.com

KVH Industries Pte Ltd.
 Asia-Pacific Headquarters
 Singapore
 Tel: +65.6513.0290 Fax: +65.6472.3469
 E-mail: info@apac.kvh.com

Wiring Diagram



To connect the terminal to ship's ground, use a heavy wire or braid cable with a larger diameter than the antenna cable.

Power Cable Wires

Color	Signal
Red (thick)	Vin+
Black (thick)	Vin-
Black (thin)	Not connected
Green	Remote on/off
Brown	Not connected
Red (thin)	Not connected
Orange	Remote on/off

I/O Connector (Optional)

Pin	Intended Use
1	Ringer output
2	Warning/error output
3	Data connection indicator, output
4	Data connection control on/off, input
5	Ignition input
6	Chassis ground
7	DC out (9-15 VDC, 50 mA)
8	DC in (ignition input)

Parts Supplied

The following items are provided in the box:

- Fleet One antenna
- Fleet One terminal
- DC power cable (1 m) for the terminal
- Ethernet cable (2 m)
- RF cable (10 m)
- I/O connector
- Mounting hardware for the antenna
- Sealing kit to weatherproof antenna connector
- Installation Guide (this guide)
- Quick Start Guide
- USB drive containing all manuals, including the comprehensive User and Installation Manual

Installing the System

Before you begin, note these requirements:

- Leave plenty of space under the antenna to accommodate the antenna cable and connector.
- Make sure the antenna has a clear view of the sky to the best extent possible.
- Do not block the drainage gasket in the center bottom of the antenna.

Follow these basic steps to install the system:

1. Mount the antenna using the supplied hardware. Use the mounting bolts to ground the antenna to the same ground as the terminal.
2. Mount the terminal belowdecks on a flat surface (e.g., on a bulkhead or desktop) using four M5 screws of a type suitable for the surface. If the mounting surface is used for grounding, make sure there is a good electrical connection between the mounting surface and the terminal chassis.
3. Connect the cables as shown in the diagram. Be sure to use the supplied DC power cable and RF cable. Seal the antenna's RF connection using the supplied sealing kit to protect it from the weather.
4. If using the optional basic cable support at the terminal, secure the cables to it using tie-wraps.

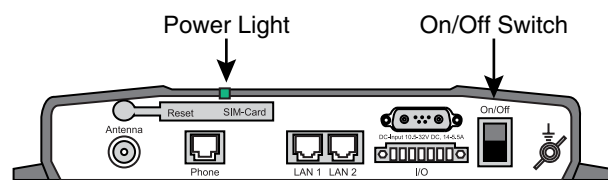
To use the optional basic cable support for strain relief, remove the two rubber feet at the connector end of the terminal. Then mount the support in their place using two M4 x 6 mm countersunk screws.

To mount the antenna on a mast: Use the mast mount kit available from KVH. The mast mount kit fits a 1½" pipe (OD 48.3 mm). Instructions are included with the kit.

To mount the antenna on the hull: Use M6 bolts and spacers to avoid blocking the drainage gasket. Bolts must penetrate 6-12 mm into the bushings in the antenna's base. Tighten the bolts to 7-8 Nm torque.

Refer to the User and Installation Manual for complete details on installing and operating the Fleet One system.

Status Indicator



Power Light

State	Indication
Off	Powered off
Green	Powered on, normal operation
Green, Flashing	Starting up
Orange, Flashing	Shutting down

Technical Specifications

Item	Specification
Antenna weight	3.94 kg (8.7 lbs)
Antenna dimensions	291.9 mm x Ø275.6 mm (11.5" x Ø10.9")
Terminal weight	2.2 kg (4.9 lbs)
Terminal dimensions	231 mm x 278 mm x 41 m (9.1" x 10.9" x 1.6")
Safety distance to antenna	0.6 m (23.7")

Item	Specification
Power input for terminal	Nominal 12-24 VDC (10.5 - 32 VDC; 11.5 A - 4 A)
Ambient temperature	Operational: -25° to +55°C
Relative humidity	
Antenna	100% condensing
Terminal	95% non-condensing at +40°C

Verifying the Installation

Follow these basic steps to test the system:

1. Apply power to the terminal using the on/off switch. Then verify that the power light is lit green.
2. Connect a computer to one of the LAN ports. Then open a web browser and enter the IP address of the terminal's web interface (default: 192.168.0.1).
3. When the Status field shows "Ready," connect a phone or computer and verify that you can make a call or connect to the Internet (see Quick Start Guide for details).

