



# TracPhone® Fleet One Assembly and Mounting Instructions for a 19" (49 cm) Dome

The following instructions explain how to assemble the TracPhone Fleet One antenna within the 19" (49 cm) dome, which matches the TracVision® TV5 satellite TV antenna. They also explain how to mount the dome to your vessel. These instructions are a supplement, not a substitute, for the Installation Manual. Be sure to follow all installation guidelines contained therein.

**IMPORTANT!**

Do not remove the radome from the TracPhone Fleet One antenna. The antenna is a sealed unit. You do not need to disassemble the antenna to mount it within the 19" (49 cm) dome.

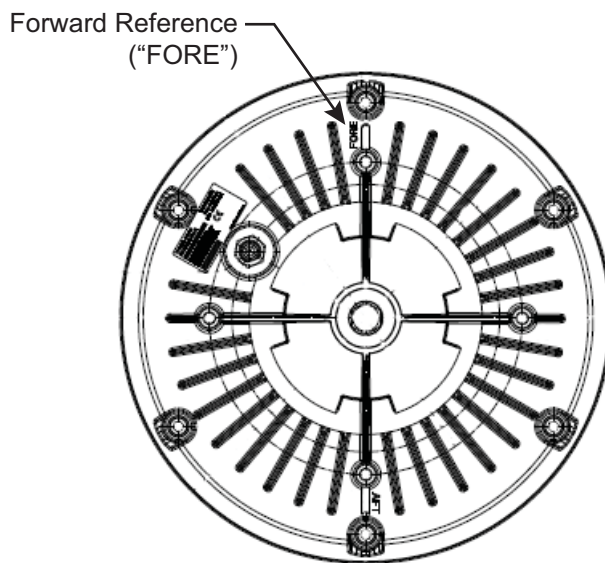
## Tools Required

- Drill with 3/8" (10 mm) bit
- Socket wrenches
- Light hammer; center punch; tape; scribe/pencil
- M3 and M6 Allen wrenches
- #2 Phillips screwdriver
- Protective gloves (for handling anti-seize lubricant)

## Step 1 - Assemble the Dome

- a. Remove and save the four #10-32 screws securing the 19" (49 cm) dome's radome to the baseplate. Remove the radome and set it aside in a safe place. Refer to [Figure 2 on page 3](#) throughout this procedure.
- b. Note the location of the forward ("FORE") reference on the base of the Fleet One antenna. Knowing the location of this reference point is very important throughout the assembly process. You may want to apply a temporary label to the radome to better mark the reference.

Figure 1 Fleet One Forward Reference



- c. Attach the mounting bracket to the base of the Fleet One antenna as described in the instructions provided with the mast-mount kit.

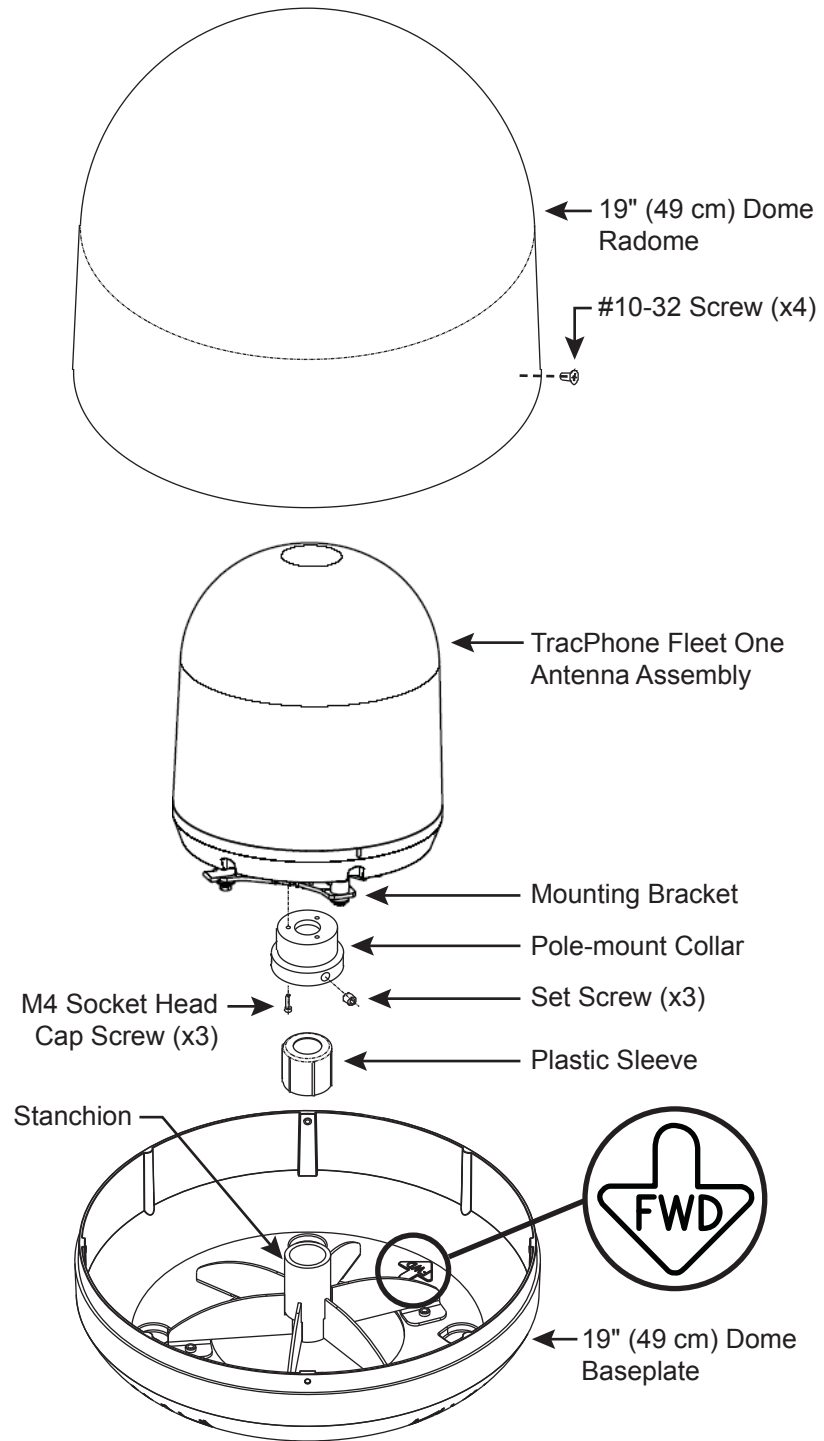
**IMPORTANT!**

Be sure to ground the antenna to the **ship's hull** using the supplied grounding strap. The 19" (49 cm) dome's baseplate and stanchion are not suitable grounding points.

- d. Attach the mast-mount collar to the mounting bracket using three supplied M4 socket-head cap screws.
- e. Insert the blue plastic sleeve into the mast-mount collar.
- f. Place the Fleet One antenna assembly onto the stanchion inside the 19" (49 cm) dome's baseplate.
- g. Align the "FORE" reference on the Fleet One with the "FWD" arrow on the 19" (49 cm) dome's baseplate.
- h. Secure the Fleet One antenna assembly in place using the three set screws supplied in the kit.



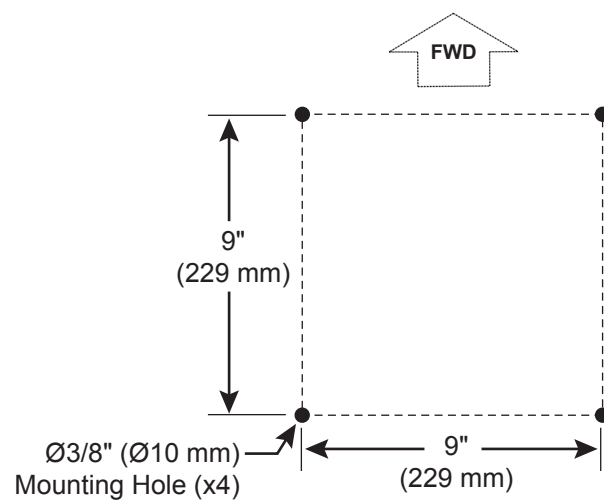
Figure 2 Fleet One Dome Assembly



## Step 2 - Mount the Antenna Assembly

- a. Make sure that you have chosen a suitable mounting location based upon the guidelines in the Installation Manual.
- b. Using the supplied mounting template or the dimensions shown below, mark the locations for the four antenna mounting bolt holes. Make certain that the "FWD" arrow is parallel with the vessel's centerline and pointed toward the bow.

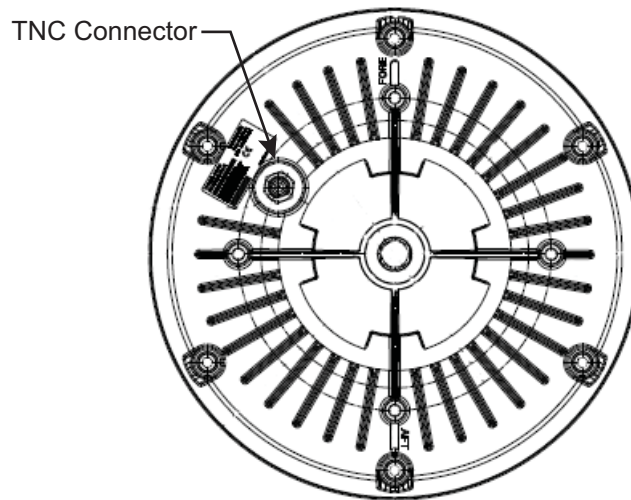
Figure 3 Antenna Mounting Holes Layout



- c. Drill the four  $3/8''$  (10 mm) bolt holes in the mounting surface.

- d. Bring the antenna's RF cable from belowdecks up through the center of the 19" (49 cm) dome's baseplate and connect it to the Fleet One antenna's TNC connector. Seal the connection against seawater and corrosion.

Figure 4 Fleet One TNC Connector



- e. Position the antenna assembly in place over the holes drilled in the mounting surface, with the "FORE" forward reference on the Fleet One antenna (and the "FWD" arrow on the 19" (49 cm) dome's baseplate) facing the bow. Ensure all holes line up.

**IMPORTANT!**

The Fleet One antenna's "FORE" forward reference must point toward the bow of the vessel for the antenna to work properly.

- f. Apply a thin layer of anti-seize lubricant to the threads of the four 1/4"-20 mounting bolts to prevent galling.

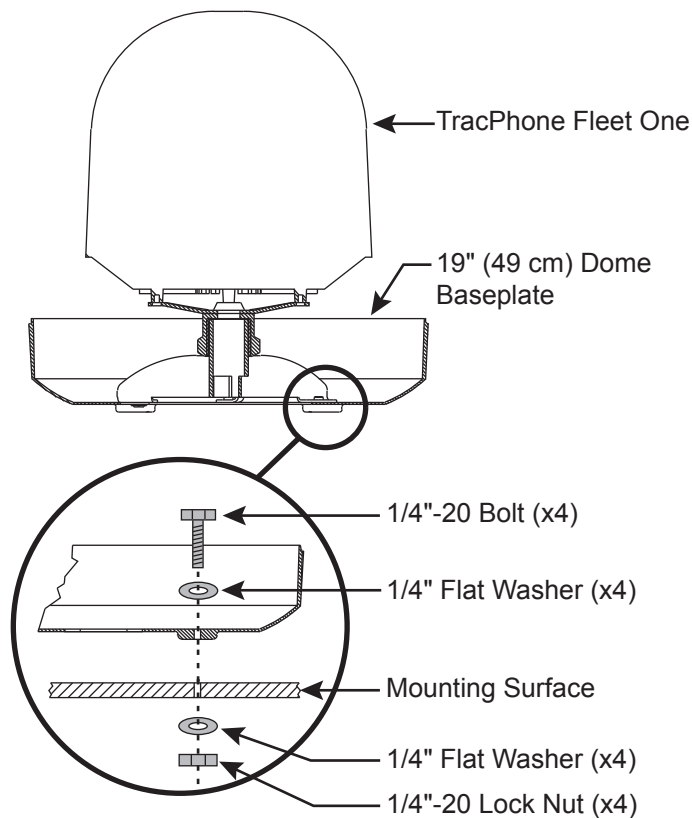


**CAUTION**

Be sure to observe the safe handling instructions in the Material Safety Data Sheet (MSDS) provided with the anti-seize lubricant.

- g. At each of the four baseplate mounting holes, place a 1/4" flat washer on a 1/4"-20 bolt and insert the bolt into the hole from above, as shown in Figure 5.

**Figure 5 Antenna Mounting**



- h. Secure each mounting bolt to the mounting surface using a 1/4" flat washer and a 1/4"-20 lock nut from below. Tighten all four bolts until the four rubber feet are bottomed against the mounting surface.
- i. Place the radome onto the baseplate and secure in place with the four #10-32 screws you removed earlier. Hide and protect the screws with the supplied plastic screw caps.
- j. Follow the instructions in the TracPhone system's Installation Manual to complete the installation.